

Thickness 2,2



Function The Balance support was designed for the laying, on any type of surface, of floors made of tiles with grout thickness of 2 mm. It allows the underlying inspection of various systems with no need to carry out any demolition. The perfect final levelling of the floor is possible thanks to the adjustment ring nuts that allows millimetric adjustments in terms of height.
 Thanks to the new Balance self-levelling head, the support can adapt to the inclination of the support surface, up to a slope of 5%, thus making the floor surface perfectly horizontal.
 The Balance leveller made of anti-shock rubber included is a small disk 2.0 mm thick. Its use makes it possible to minimise noise from foot-traffic and deaden the contact between the tile and the Balance self-levelling head.

Compatibility -

Range h 47-62 - h 62-82 - h 77-112 - h 107-142 - h 137-172 - h 167-202 - h 197-232

Performance The materials used to make the Balance supports make them resistant to acidic and basic solutions and to weathering. Reaction to fire classification: E.
 Their mechanical features remain over time.

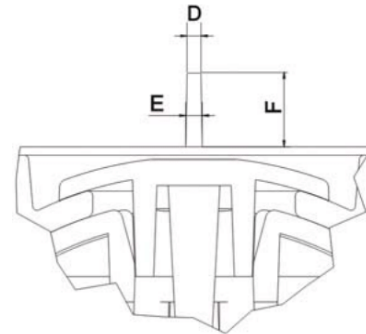
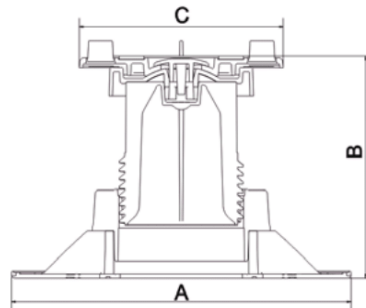
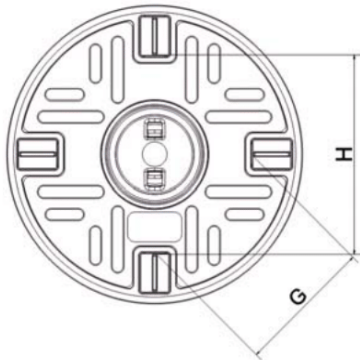
Operating temperature	-40°C; +75°C	Recycled product	Yes for PP T 20% No for TPE
Included accessories:	Antishock Balance leveller	Recyclable product	Yes for both
Optional accessories:	Slope corrector* Adjustable handle Distribution disc Extension for Jack supports Levellers	Material	PP T 20% TPE

Additional information

The Balance supports are 100% made of material recycled from refinery installation.
 All types of Balance supports are guaranteed to withstand concentrated loads of 400 kg each, at any adjustment height.
 For a better understanding of the interaction between the Balance supports and the accessories, please refer to the respective technical data sheets.

*To be used only if the inclination of the support surface exceeds a slope of 5%.

If not otherwise indicated, all measurements are expressed in millimetres.

Thickness 2,2


Line Item	Description	A	B	C	D	E	F	G	H	I
1	240-380-300-047 BALANCE SUPPORT H 47-62 SELF LEVELLING HEAD T4-SP02-H10	200	47-62	120	2,1	2,4	10	55,1	80,0	
2	240-380-300-062 BALANCE SUPPORT H 62-82 SELF LEVELLING HEAD T4-SP02-H10	200	62-82	120	2,1	2,4	10	55,1	80,0	
3	240-380-300-077 BALANCE SUPPORT H 77-112 SELF LEVELLING HEAD T4-SP02-H10	200	77-112	120	2,1	2,4	10	55,1	80,0	
4	240-380-300-107 BALANCE SUPPORT H 107-142 SELF LEVELLING HEAD T4-SP02-H10	200	107-142	120	2,1	2,4	10	55,1	80,0	
5	240-380-300-137 BALANCE SUPPORT H 137-172 SELF LEVELLING HEAD T4-SP02-H10	200	137-172	120	2,1	2,4	10	55,1	80,0	
6	240-380-300-167 BALANCE SUPPORT H 167-202 SELF LEVELLING HEAD T4-SP02-H10	200	167-202	120	2,1	2,4	10	55,1	80,0	
7	240-380-300-197 BALANCE SUPPORT H 197-232 SELF LEVELLING HEAD T4-SP02-H10	200	197-232	120	2,1	2,4	10	55,1	80,0	

If not otherwise indicated, all measurements are expressed in millimetres.