



Function The Balance support was designed for the laying, on any type of surface, of floors made of tiles with grout thickness of 2 mm. It allows the underlying inspection of various systems with no need to carry out any demolition. The perfect final levelling of the floor is possible thanks to the adjustment ring nuts that allows millimetric adjustments in terms of height.
Thanks to the new Balance self-levelling head, the support can adapt to the inclination of the support surface, up to a slope of 5%, thus making the floor surface perfectly horizontal.
The Balance leveller made of anti-shock rubber included is a small disk 2.0 mm thick. Its use makes it possible to minimise noise from foot-traffic and deaden the contact between the tile and the Balance self-levelling head.

Compatibility -

Range h 97-147 - h 137-227 - h 222-392

Performance The materials used to make the Balance supports make them resistant to acidic and basic solutions and to weathering. Reaction to fire classification: E.
Their mechanical features remain over time.

Operating temperature -40°C; +75°C

Recycled product Yes for PP T 20%
No for TPE

Included accessories: Antishock Balance leveller

Recyclable product Yes for both

Optional accessories: Slope corrector*
Adjustable handle
Distribution disc
Levellers
-

Material PP T 20%
TPE

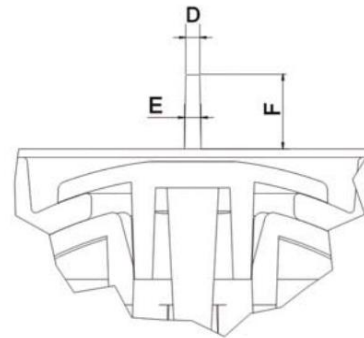
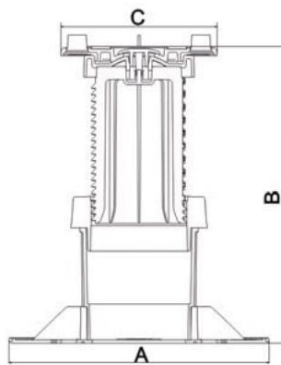
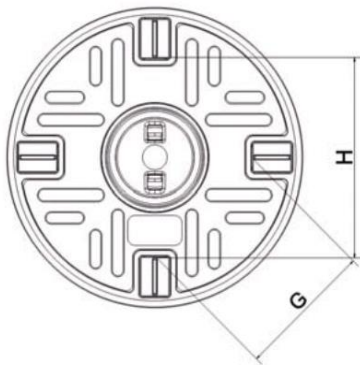
Additional information

The Balance supports are 100% made of material recycled from refinery installation.
All types of Balance supports are guaranteed to withstand concentrated loads of 400 kg each, at any adjustment height.
For a better understanding of the interaction between the Balance supports and the accessories, please refer to the respective technical data sheets.

*To be used only if the inclination of the support surface exceeds a slope of 5%.

If not otherwise indicated, all measurements are expressed in millimetres.

Thickness 2,2



Line	Item	Description	A	B	C	D	E	F	G	H	I
13	240-380-301-097	XL BALANCE SUPPORT H 97-147 SELF LEVEL. HEAD T4-SP02-H10	200	97-147	120	2,1	2,4	10	55,1	80,0	
14	240-380-301-137	XL BALANCE SUPPORT H 137-227 SELF LEVEL HEAD T4-SP02-H10	200	137-227	120	2,1	2,4	10	55,1	80,0	
15	240-380-301-222	XL BALANCE SUPPORT H 222-392 SELF LEV. HEAD T4-SP02-H10	200	222-392	120	2,1	2,4	10	55,1	80,0	

If not otherwise indicated, all measurements are expressed in millimetres.