

Function The Megamart support has been designed for the installation of any type of flooring on any surface, allowing inspection of the various system beneath, without needing to demolish anything. Thanks to the millimetrical adjustment of the components it is possible to have a perfect levelness of the final flooring.

Compatibility -

Range h 22-30 - h 28-37

Performance The material they are made of makes them resistant to acidic and basic solutions and weathering.

Operating temperature -40°C; +75°C

Recycled product Yes

Recyclable product Yes

Included accessories: -

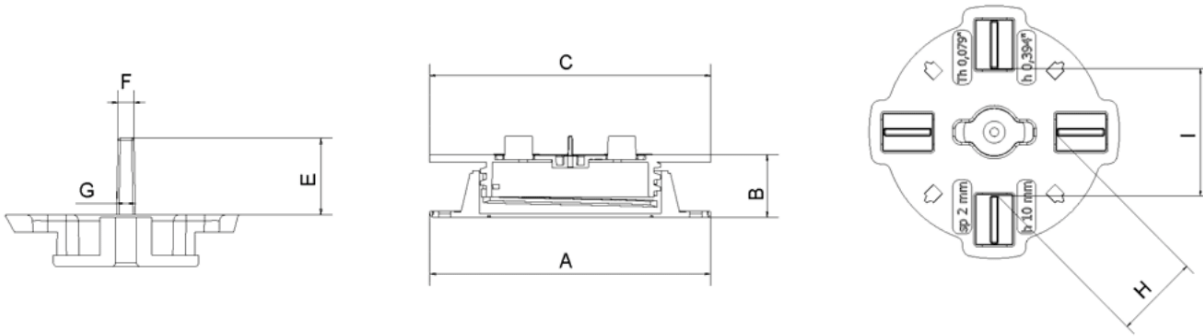
Material PP T 20%

Optional accessories: Slope regulator
Levellers
Adjustable handle
Distribution disc
-

Additional information

MiniMart supports are made 100% with regenerated material from refinery plant.
All types of MiniMart are guaranteed to bear concentrated loads of 400 kg each.

If not otherwise indicated, all measurements are expressed in millimetres.



Line Item	Description	A	B	C	D	E	F	G	H	I
1	240-621-001-022 MINIMART H 22-30 mm TA010-02+BmM01+TmM01	150	22-30	150	-	10	2,1	2,5	26,8	40
2	240-621-001-028 MINIMART H 28-37 mm TA010-02+BmM02+TmM02	150	28-37	150	-	10	2,1	2,5	26,8	40

If not otherwise indicated, all measurements are expressed in millimetres.